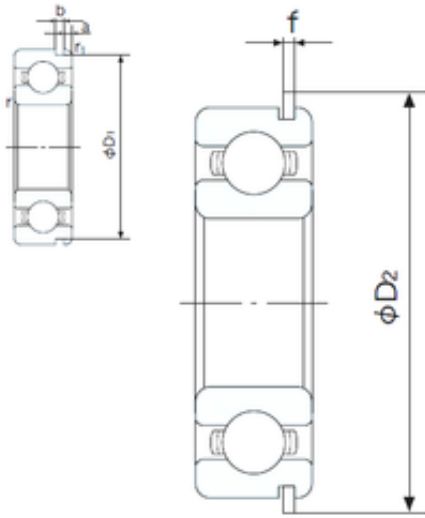




KFY MANUFACTURING MEXICO LIMITED



95 mm x 170 mm x 32 mm NACHI 6219NR
deep groove ball bearings

Bearing No. 6219NR

6219NR Bearing 2D drawings and 3D CAD models

Size	95x170x32 mm
Bore Diameter	95 mm
Outer Diameter	170 mm
Width	32 mm
d	95 mm
D	170 mm
B	32 mm
C	32 mm
a	5.69 mm
b	3.5 mm
f	3.1 mm
r min.	2.1 mm
r1 min.	0.5 mm
D1	163.65 mm
D2	182.9 mm
Weight	2.62 Kg
Basic dynamic load rating (C)	109 kN
Basic static load rating (C0)	81,5 kN
(Grease) Lubrication Speed	3700 r/min
Category	Single Row Ball Bearings
Inventory	0.0
Manufacturer Name	NACHI
Minimum Buy Quantity	N/A
Weight / Kilogram	2.622
Product Group	B00308



KFY MANUFACTURING MEXICO LIMITED

Enclosure	Open
Precision Class	ABEC 1 ISO P0
Maximum Capacity / Filling Slot	No
Rolling Element	Ball Bearing
Snap Ring	Yes
Internal Special Features	No
Cage Material	Steel
Internal Clearance	C0-Medium
Inch - Metric	Metric
Long Description	95MM Bore; 170MM Outside Diameter; 32MM Outer Race Width; Open; Ball Bearing; ABEC 1 ISO P0; No Filling Slot; Yes Snap Ring; No Internal Special Features; C0-Medium Internal Clearance; Steel Cage
Other Features	Deep Groove With Snap Ring
Category	Single Row Ball Bearing
UNSPSC	31171504
Harmonized Tariff Code	8482.10.50.68
Noun	Bearing
Keyword String	Ball
Manufacturer URL	http://www.nachiamerica.com
Bore	3.74 Inch 95 Millimeter
Outside Diameter	6.693 Inch 170 Millimeter
Outer Race Width	1.26 Inch 32 Millimeter
Inner Race Width	0 Inch 0 Millimeter
Bore Type	Cylindrical Bore
Configuration	Single Row
Bore Size	95 mm
Width	32 mm



KFY MANUFACTURING MEXICO LIMITED

Fillet Radius/Chamfer	2.1 mm
r1	0.5 mm
Snap Ring Width	3.1 mm
Snap Ring Outside Diameter	182.9 mm
D1 (max)	163.7 mm
a (max)	5.7 mm
b (min)	3.5 mm
Dynamic Load Rating	109,000 N
Static Load Rating	81,500 N
Limiting Speed - Grease	3,800 rpm
Limiting Speed - Oil	4,500 rpm
Factor fo	14.4
Radial Clearance	0.012 to 0.036 mm
da (min)	107 mm
Da (max)	158 mm
Dx (min)	185 mm
ra (max)	2 mm
Cy (max)	8.4 mm