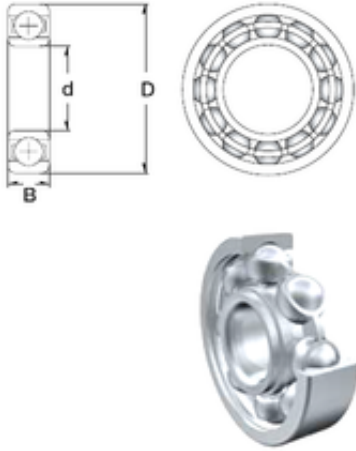




KFY MANUFACTURING MEXICO LIMITED



4,763 mm x 9,525 mm x 3,175 mm ZEN
R166-2TS deep groove ball bearings

Bearing No. R166-2TS

Size	4.763x9.525x3.175 mm
Bore Diameter	4,763 mm
Outer Diameter	9,525 mm
Width	3,175 mm
d	4,763 mm
D	9,525 mm
B	3,175 mm
C	3,175 mm
Basic dynamic load rating (C)	0,709 kN
Basic static load rating (C0)	0,272 kN
(Grease) Lubrication Speed	50000 r/min

R166-2TS Bearing 2D drawings and 3D CAD models