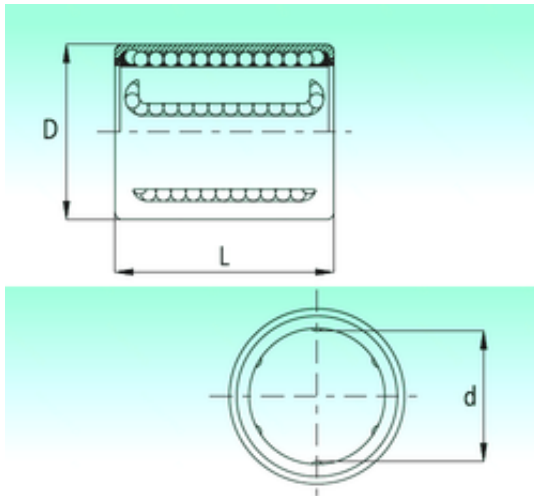




KFY MANUFACTURING MEXICO LIMITED



NBS KH2030 linear bearings

Bearing No. KH2030

Bore Diameter	20 mm
Outer Diameter	28 mm
d	20 mm
D	28 mm
L	30 mm
Weight	0,033 Kg
Basic dynamic load rating (C)	0,95 kN

KH2030 Bearing 2D drawings and 3D CAD models