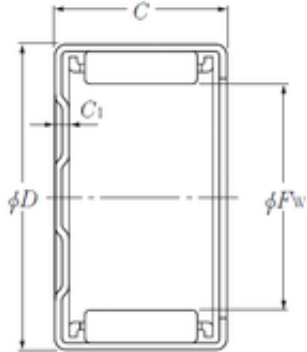




KFY MANUFACTURING MEXICO LIMITED

NTN BK1812 needle roller bearings



Bearing No. BK1812

BK1812 Bearing 2D drawings and 3D CAD models

Size	18x24x12 mm
Bore Diameter	18 mm
Outer Diameter	24 mm
Width	12 mm
Fw	18 mm
D	24 mm
C	12 mm
C1	2,7 mm
Weight	0,015 Kg
Basic dynamic load rating (C)	8,3 kN
Basic static load rating (C0)	10,9 kN
(Grease) Lubrication Speed	8 500 r/min
Dw	2 mm
Lw	7.3 mm
Lubrication hole on outer ring	Non/No
Inner ring reference	IR15X18X12.5
Mass	0.02 kg
Cr	8.3 kN
C0r	10.9 kN
Nlim (grease)	8,500 rpm
Nlim (oil)	13,000 rpm
Min operating temperature, Tmin	-20 ° C
Max operating temperature, Tmax	120 ° C



KFY MANUFACTURING MEXICO LIMITED

Characteristic cage frequency, FTF	0.45 Hz
Characteristic rolling element frequency, BSF	9.9 Hz
Characteristic outer ring frequency, BPF0	9 Hz
Characteristic inner ring frequency, BRFI	11 Hz
Category	Bearings
Inventory	0.0
Manufacturer Name	NTN
Minimum Buy Quantity	N/A
Weight / Kilogram	0.02
Product Group	B04144