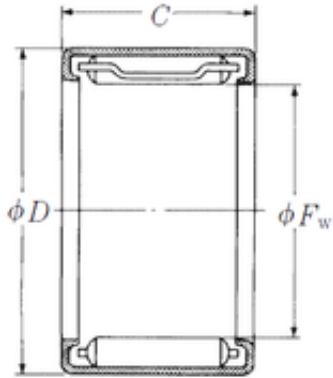




KFY MANUFACTURING MEXICO LIMITED

NSK FJ-79 needle roller bearings



Bearing No. FJ-79

FJ-79 Bearing 2D drawings and 3D CAD models

Size	7x11x9 mm
Bore Diameter	7 mm
Outer Diameter	11 mm
Width	9 mm
Fw	7 mm
D	11 mm
C	9 mm
Weight	0,0023 Kg
Basic dynamic load rating (C)	2,55 kN
(Grease) Lubrication Speed	30000 r/min
NB-DI	0
NA-DEX	9.761
hidYobi	FJ-79
LangID	1
D_	11
NC-SLR	5.18
B_	9
hidTable	ecat_NSDCNR
mass_k	2.3
GRS rpm	30000
NC-SLR1	0
C0	2.385
C1	9
Prod_Type3	NRB_DC_FJ-MFJ_WC_OT
d	7



KFY MANUFACTURING MEXICO LIMITED

NC-RAC	0
Pmax	1110
N-SDM	0
yobi	FJ-79
C1_C2	0.8
ND-Z	10
OIL rpm	48000
NC-DA	1.374
N-KBRG	8201
NC-KMS	10