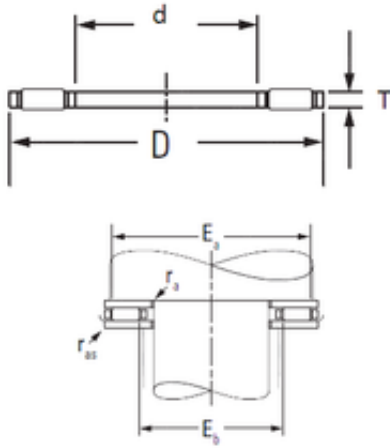




KFY MANUFACTURING MEXICO LIMITED

Timken AXK4565 needle roller bearings



Bearing No. AXK4565

Size	45x65x3 mm
Bore Diameter	45 mm
Outer Diameter	65 mm
Width	3 mm
d	45 mm
D	65 mm
T	3 mm
ra max.	0,6 mm
Ea	63 mm
Eb	50 mm
Weight	0,02 Kg
Basic dynamic load rating (C)	29 kN
Basic static load rating (C0)	124 kN

AXK4565 Bearing 2D drawings and 3D CAD models