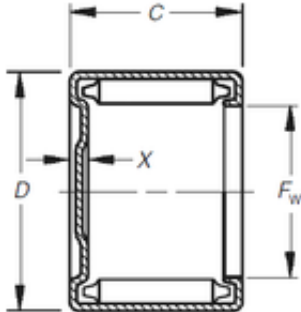




KFY MANUFACTURING MEXICO LIMITED

Timken M-16101 needle roller bearings



Bearing No. M-16101

Size	25.4x31.75x15.88 mm
Bore Diameter	25,4 mm
Outer Diameter	31,75 mm
Width	15,88 mm
F _w	25,4 mm
D	31,75 mm
C	15,88 mm
C1	2,29 mm
Weight	0,03 Kg
Basic dynamic load rating (C)	21,2 kN
Basic static load rating (C0)	40,52 kN
(Grease) Lubrication Speed	2800 r/min

M-16101 Bearing 2D drawings and 3D CAD models