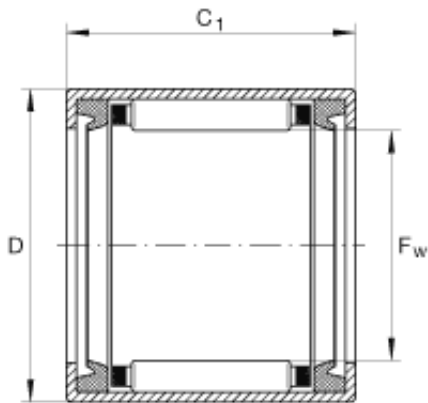




KFY MANUFACTURING MEXICO LIMITED



INA SCE1210-PP needle roller bearings

Bearing No. SCE1210-PP

Size	19.05x25.4x15.875 mm
Bore Diameter	19,05 mm
Outer Diameter	25,4 mm
Width	15,875 mm
F _w	3/4 inch
F _w	19,05 mm
D	1 inch
D	25,4 mm
C ₁	0,625 inch
C ₁	15,875 mm
m	0,036 lbs / Weight
m	17 g / Weight
C _r	2210 lbf / Dynamic load rating (radial)
C _r	9800 N / Dynamic load rating (radial)
C _{0r}	2800 lbf / Static load rating (radial)
C _{0r}	12500 N / Static load rating (radial)
n _G	13100 1/min / Limiting speed
n _B	0,001 1/min / Reference speed
Category	Needle Non Thrust Roller Bearings
Inventory	24.0
Manufacturer Name	SCHAEFFLER GROUP

SCE1210-PP Bearing 2D drawings and 3D CAD models



KFY MANUFACTURING MEXICO LIMITED

Minimum Buy Quantity	N/A
Weight / Kilogram	0.021
Product Group	B04144
Rolling Element	Needle Roller Bearing
Component	Roller Assembly with Outer Ring - No Inner Ring
Enclosure	2 Seals
Self Aligning	No
Retainer	Yes
Number of Rows of Rollers	Single Row
Separable	No
Closed End	No
Inch - Metric	Inch
Relubricatable	No
Thrust Bearing	No
Long Description	3/4" Bore; 1" Outside Diameter; 5/8" Width; Needle Roller Bearing; Roller Assembly with Outer Ring - No Inner Ring; 2 Seals Enclosure; No Self Aligning; Yes Retainer; Single Row of Roll
Other Features	2 Rib Outer Ring Drawn Cup Bearing Steel Cage
Category	Needle Non Thrust Roller Bearing
UNSPSC	31171512
Harmonized Tariff Code	8482.40.00.00
Noun	Bearing
Keyword String	Needle
Manufacturer URL	http://www.ina.com
Manufacturer Item Number	SCE1210PP
Weight / LBS	0.036
Width	0.625 Inch 15.875 Millimeter



KFY MANUFACTURING MEXICO LIMITED

Bore	0.75 Inch 19.05 Millimeter
Outside Diameter	1 Inch 25.4 Millimeter