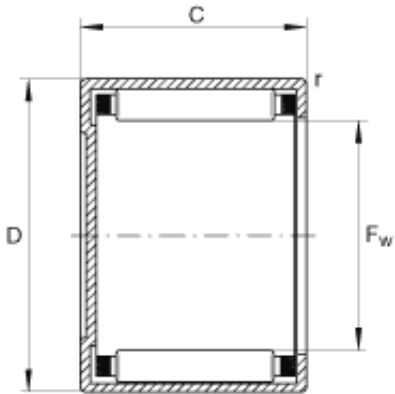




KFY MANUFACTURING MEXICO LIMITED



INA BCE1110 needle roller bearings

Bearing No. BCE1110

BCE1110 Bearing 2D drawings and 3D CAD models

Size	17.462x22.225x15.875 mm
Bore Diameter	17,462 mm
Outer Diameter	22,225 mm
Width	15,875 mm
F _w	11/16 inch
F _w	17,462 mm
D	0,875 inch
D	22,225 mm
C	0,625 inch
C	15,875 mm
m	0,028 lbs / Weight
m	13 g / Weight
C _r	2460 lbf / Dynamic load rating (radial)
C _r	10900 N / Dynamic load rating (radial)
C _{0r}	4050 lbf / Static load rating (radial)
C _{0r}	18000 N / Static load rating (radial)
n _G	14600 1/min / Limiting speed
n _B	10000 1/min / Reference speed
Category	Bearings
Inventory	0.0
Manufacturer Name	SCHAEFFLER GROUP
Minimum Buy Quantity	N/A



KFY MANUFACTURING MEXICO LIMITED

Weight / Kilogram	0.021
Product Group	B04144