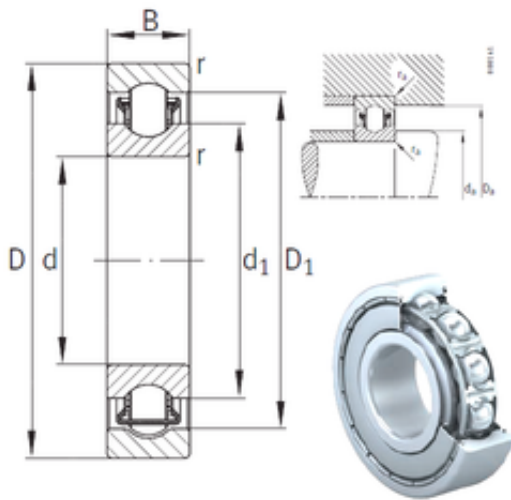




KFY MANUFACTURING MEXICO LIMITED



15 mm x 32 mm x 9 mm INA BXRE002-2Z needle roller bearings

Bearing No. BXRE002-2Z

Size	15x32x9 mm
Bore Diameter	15 mm
Outer Diameter	32 mm
Width	9 mm
d	15 mm
D	32 mm
B	9 mm
C	9 mm
d1	21,1 mm
r min.	0,3 mm
D1	26,6 mm
da min.	17 mm
Da max.	30 mm
ra max.	0,3 mm
Weight	0,032 Kg
Basic dynamic load rating (C)	8,5 kN
Basic static load rating (C0)	5,2 kN
Fatigue load limit (Pu)	265

BXRE002-2Z Bearing 2D drawings and 3D CAD models