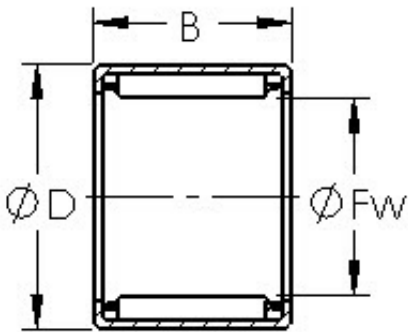




KFY MANUFACTURING MEXICO LIMITED



AST SCE67 needle roller bearings

Bearing No. SCE67

Bore Diameter	9,525 mm
Outer Diameter	14,3 mm
Width	11,1 mm
Bearing Type	Cage Retained Rollers
Outer Dia (D)	0.5630
Width (B)	0.4370
Dynamic Load Rating (Cr)	980
Static Load Rating (Cor)	1,030
Max Speed (Grease) (X1000 RPM)	29,500
Shaft (Fw)	0.375
Weight (g)	5.00
Material - Drawn cup: Hardened carbon steel alloy, Rollers	52100 Chrome steel or equivalent

SCE67 Bearing 2D drawings and 3D CAD models