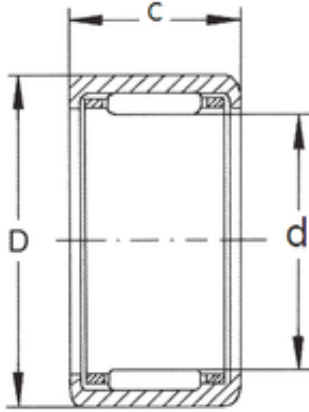




KFY MANUFACTURING MEXICO LIMITED

FBJ HK2210 needle roller bearings



Bearing No. HK2210

Size	22x28x10 mm
Bore Diameter	22 mm
Outer Diameter	28 mm
Width	10 mm
d	22 mm
D	28 mm
C	10 mm
Weight	0,0123 Kg
Basic dynamic load rating (C)	7,2 kN
Basic static load rating (C0)	9,5 kN
(Grease) Lubrication Speed	6000 r/min

HK2210 Bearing 2D drawings and 3D CAD models