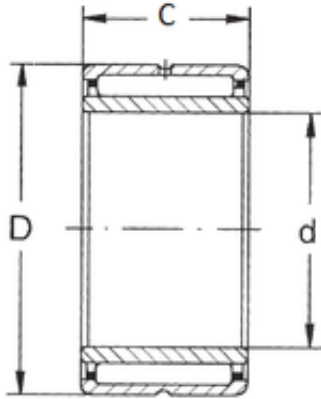




KFY MANUFACTURING MEXICO LIMITED



100 mm x 130 mm x 40 mm FBJ NKI 100/40
needle roller bearings

Bearing No. NKI 100/40

Size	100x130x40 mm
Bore Diameter	100 mm
Outer Diameter	130 mm
Width	40 mm
d	100 mm
D	130 mm
B	40 mm
C	40 mm
Weight	1,33 Kg
Basic dynamic load rating (C)	129 kN
Basic static load rating (C0)	290 kN
(Grease) Lubrication Speed	2400 r/min

NKI 100/40 Bearing 2D drawings and 3D CAD models