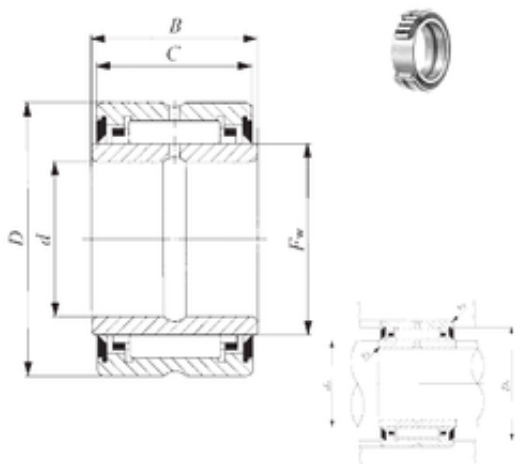




# KFY MANUFACTURING MEXICO LIMITED

28,575 mm x 47,625 mm x 32 mm IKO BRI  
183020 UU needle roller bearings

Bearing No. BRI 183020 UU



BRI 183020 UU Bearing 2D drawings and 3D CAD models

Size	28.575x47.625x32 mm
Bore Diameter	28,575 mm
Outer Diameter	47,625 mm
Width	32 mm
d	28,575 mm
Fw	34,925 mm
D	47,625 mm
B	32 mm
C	31,75 mm
da min.	33,5 mm
da max	33,9 mm
Da max.	42,4 mm
ra max.	0,6 mm
Weight	0,211 Kg
Basic dynamic load rating (C)	38,5 kN
Basic static load rating (C0)	60 kN