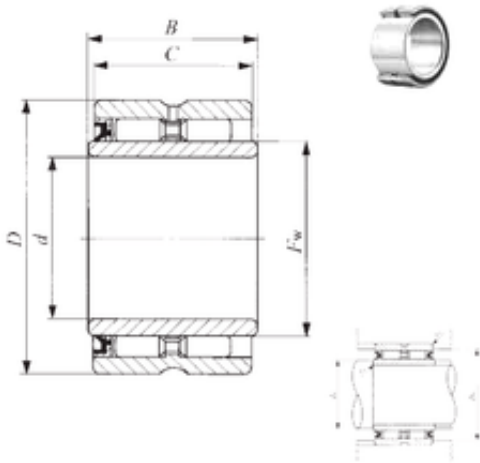




KFY MANUFACTURING MEXICO LIMITED



44,45 mm x 76,2 mm x 44,7 mm IKO GBRI
284828 U needle roller bearings

Bearing No. GBRI 284828 U

Size	44.45x76.2x44.7 mm
Bore Diameter	44,45 mm
Outer Diameter	76,2 mm
Width	44,7 mm
d	44,45 mm
Fw	57,15 mm
D	76,2 mm
B	44,7 mm
C	44,45 mm
da min.	52,5 mm
da max	55 mm
Da max.	69,2 mm
ra max.	1,5 mm
Weight	860 Kg
Basic dynamic load rating (C)	87 500 kN
Basic static load rating (C0)	161 000 kN

GBRI 284828 U Bearing 2D drawings and 3D CAD models