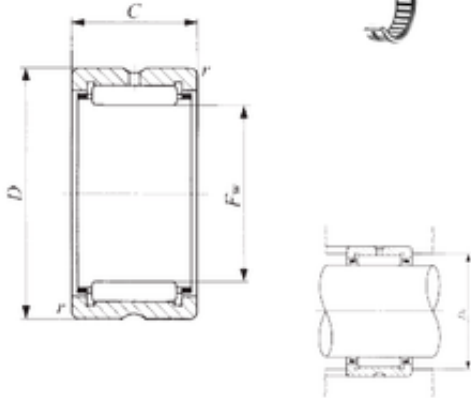




KFY MANUFACTURING MEXICO LIMITED

IKO BR 243316 needle roller bearings

Bearing No. BR 243316



BR 243316 Bearing 2D drawings and 3D CAD models

Size	38.1x52.388x25.4 mm
Bore Diameter	38,1 mm
Outer Diameter	52,388 mm
Width	25,4 mm
Fw	38,1 mm
D	52,388 mm
C	25,4 mm
Da max.	45,1 mm
ra max.	1,5 mm
Weight	0,149 Kg
Basic dynamic load rating (C)	43,7 kN
Basic static load rating (C0)	66,9 kN