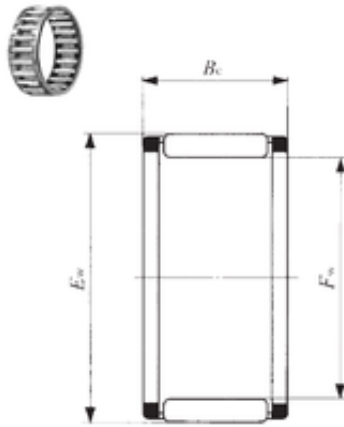




# KFY MANUFACTURING MEXICO LIMITED

## IKO KT 252910 needle roller bearings



Bearing No. KT 252910

Marchio	IKO
Diametro del foro	25 mm
Diametro esterno	29 mm
Fw	25 mm
Ew	29 mm
Bc	10 mm
Peso	0,0079 Kg
Carico dinamico di base (C)	8,94 kN
Carico statico di base (C0)	13,3 kN

KT 252910 Bearing 2D drawings and 3D CAD models