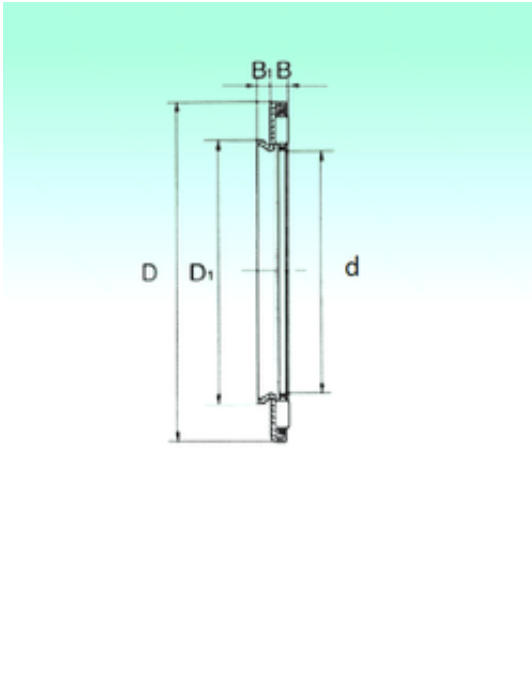




# KFY MANUFACTURING MEXICO LIMITED



AXW 20 Bearing 2D drawings and 3D CAD models

20 mm x 38 mm x 3,2 mm NBS AXW 20 needle roller bearings

Bearing No. AXW 20

Size	20x26x3.2 mm
Bore Diameter	20 mm
Outer Diameter	26 mm
Width	3,2 mm
d	20 mm
D	38 mm
D1	26 mm
B	3,2 mm
B1	3,5 mm
Weight	0,014 Kg
Basic dynamic load rating (C)	12,7 kN
Basic static load rating (C0)	45,6 kN