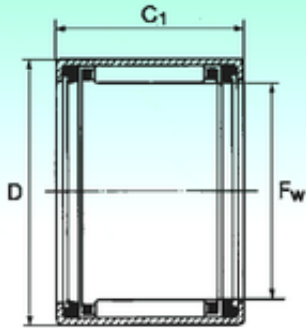




# KFY MANUFACTURING MEXICO LIMITED

## NBS HK 1816 2RS needle roller bearings

Bearing No. HK 1816 2RS



HK 1816 2RS Bearing 2D drawings and 3D CAD models

Size	18x24x16 mm
Bore Diameter	18 mm
Outer Diameter	24 mm
Width	16 mm
Fw	18 mm
D	24 mm
C	16 mm
Weight	0,017 Kg
Basic dynamic load rating (C)	7,7 kN
Basic static load rating (C0)	10,35 kN