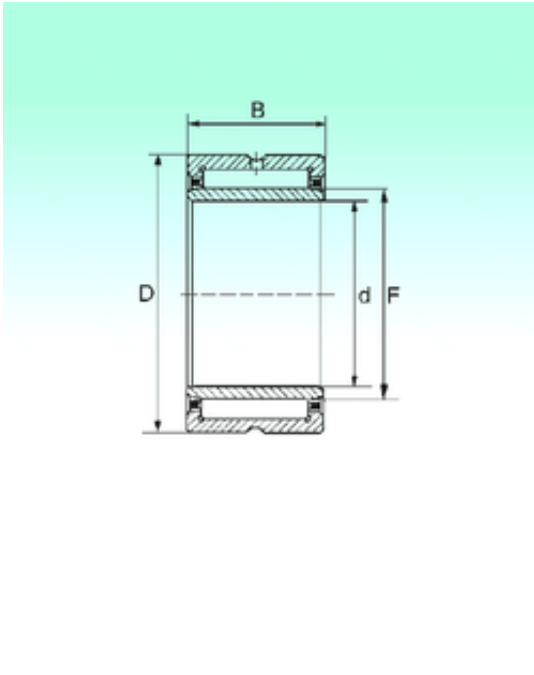




KFY MANUFACTURING MEXICO LIMITED



NKIS 30 Bearing 2D drawings and 3D CAD models

NBS NKIS 30 needle roller bearings

Bearing No. NKIS 30

Size	30x52x22 mm
Bore Diameter	30 mm
Outer Diameter	52 mm
Width	22 mm
d	30 mm
Fw	37 mm
D	52 mm
C	22 mm
Weight	0,184 Kg
Basic dynamic load rating (C)	35 kN
Basic static load rating (C0)	48 kN