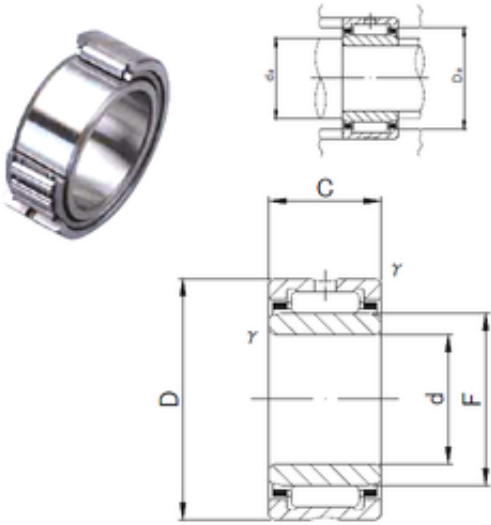




KFY MANUFACTURING MEXICO LIMITED



40 mm x 55 mm x 30 mm JNS NKI 40/30 needle roller bearings

Bearing No. NKI 40/30

Size	40x55x30 mm
Bore Diameter	40 mm
Outer Diameter	55 mm
Width	30 mm
d	40 mm
F	45 mm
D	55 mm
B	30 mm
C	30 mm
r min.	0,3 mm
da min.	42 mm
da max	44 mm
Da max.	53 mm
Weight	0,215 Kg
Basic dynamic load rating (C)	44,5 kN
Basic static load rating (C0)	95,7 kN

NKI 40/30 Bearing 2D drawings and 3D CAD models