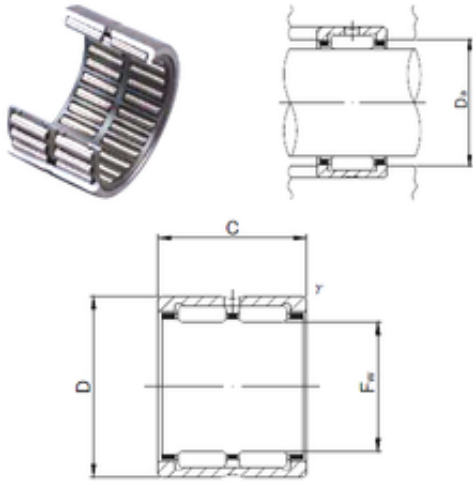




KFY MANUFACTURING MEXICO LIMITED



JNS RNA 6910 needle roller bearings

Bearing No. RNA 6910

Size	58x72x40 mm
Bore Diameter	58 mm
Outer Diameter	72 mm
Width	40 mm
Fw	58 mm
D	72 mm
C	40 mm
r min.	0,6 mm
Da max.	68 mm
Weight	0,32 Kg
Basic dynamic load rating (C)	79,1 kN
Basic static load rating (C0)	163,8 kN

RNA 6910 Bearing 2D drawings and 3D CAD models