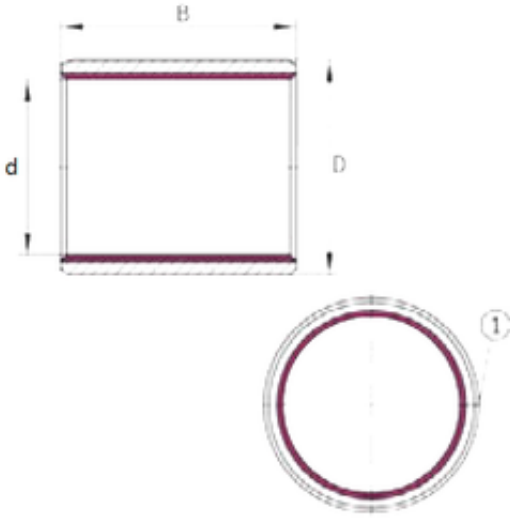




KFY MANUFACTURING MEXICO LIMITED



10 mm x 12 mm x 12 mm INA EGB1012-E40
plain bearings

Bearing No. EGB1012-E40

EGB1012-E40 Bearing 2D drawings and 3D CAD models

Size	10x12x12 mm
Bore Diameter	10 mm
Outer Diameter	12 mm
Width	12 mm
d	10 mm
D	12 mm
B	12 mm
Category	Sleeve Bearings
Inventory	0.0
Manufacturer Name	SCHAEFFLER GROUP
Minimum Buy Quantity	N/A
Weight / Kilogram	0.012
Product Group	B04264
Profile	Bushing No Flange Split
Material Description	Steel Backing, Bronze Innerstructure, PTFE-lead Overlay
Material	Permaglide P10
Inch - Metric	Metric
Long Description	10MM Nominal Bore; 12MM Nominal Outside Diameter; 12MM Length Thru Bore; Bushing No Flange Split Profile; Steel Backing, Bronze Innerstructure, PTFE-lead Overlay; Permaglide P10 Material



KFY MANUFACTURING MEXICO LIMITED

Category	Sleeve Bearings
UNSPSC	31171515
Harmonized Tariff Code	84833080
Noun	Bearing
Keyword String	Plain
Manufacturer URL	http://www.ina.com
Manufacturer Item Number	PAP1012P10
Weight / LBS	0.026
Length Thru Bore	0.472 Inch 12 Millimeter
Nominal Outside Diameter	0.472 Inch 12 Millimeter
Nominal Bore	0.394 Inch 10 Millimeter