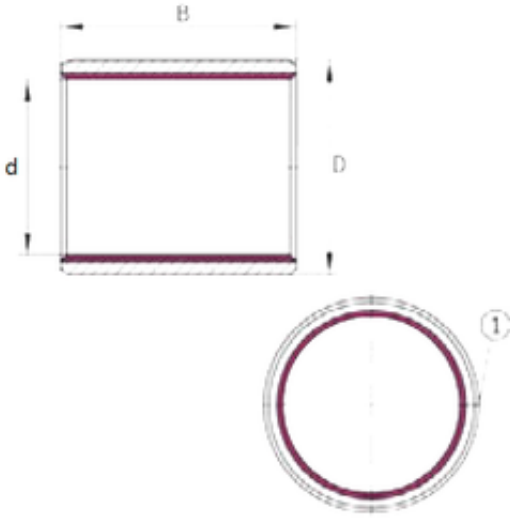




# KFY MANUFACTURING MEXICO LIMITED



19.05 mm x 22,225 mm x 9,53 mm INA  
EGBZ1206-E40 plain bearings

Bearing No. EGBZ1206-E40

EGBZ1206-E40 Bearing 2D drawings and 3D CAD models

Size	19.05x22.225x9.53 mm
Bore Diameter	19.05 mm
Outer Diameter	22,225 mm
Width	9,53 mm
d	19.05 mm
D	22,225 mm
B	9,53 mm
Category	Sleeve Bearings
Inventory	0.0
Manufacturer Name	SCHAEFFLER GROUP
Minimum Buy Quantity	N/A
Weight / Kilogram	0.006
Product Group	B04264
Profile	Bushing No Flange Split
Material Description	Steel Backing, Bronze Innerstructure, PTFE-lead Overlay
Material	Permaglide P10
Inch - Metric	Inch
Long Description	3/4" Nominal Bore; 7/8" Nominal Outside Diameter; 3/8" Length Thru Bore; Bushing No Flange Split Profile; Steel Backing, Bronze Innerstructure, PTFE-lead Overlay; Permaglide P10 Material
Category	Sleeve Bearings



## KFY MANUFACTURING MEXICO LIMITED

UNSPSC	31171515
Harmonized Tariff Code	84833080
Noun	Bearing
Keyword String	Plain
Manufacturer URL	<a href="http://www.ina.com">http://www.ina.com</a>
Manufacturer Item Number	PAPZ1206P10
Weight / LBS	0.013
Length Thru Bore	0.375 Inch   9.525 Millimeter
Nominal Outside Diameter	0.875 Inch   22.225 Millimeter
Nominal Bore	0.75 Inch   19.05 Millimeter