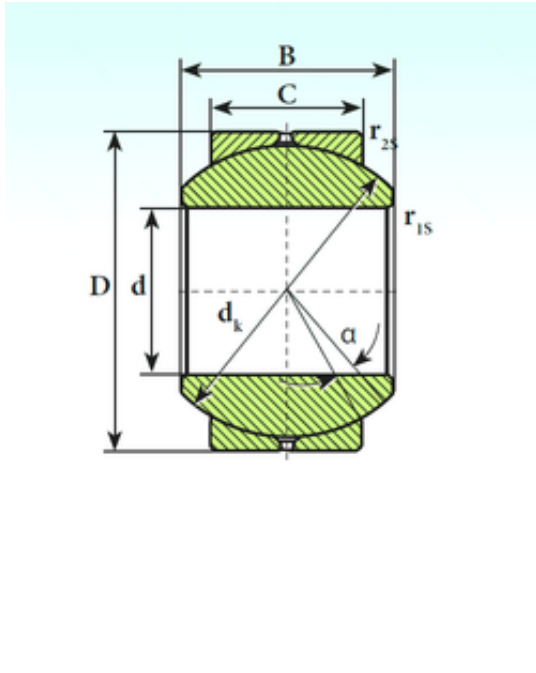




KFY MANUFACTURING MEXICO LIMITED



14 mm x 28 mm x 19 mm ISB GE 14 SB plain bearings

Bearing No. GE 14 SB

Size	14x28x19 mm
Bore Diameter	14 mm
Outer Diameter	28 mm
Width	19 mm
d	14 mm
D	28 mm
B	19 mm
C	13,5 mm
dk	25,4 mm
r1 min.	0,3 mm
r2 min.	0,3 mm
Angle	16 °
Weight	0,055 Kg
Basic dynamic load rating (C)	17 kN

GE 14 SB Bearing 2D drawings and 3D CAD models