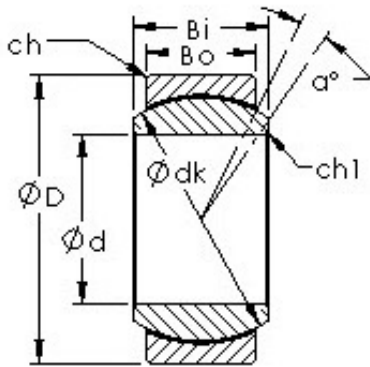




KFY MANUFACTURING MEXICO LIMITED



AST GEFZ25T plain bearings

Bearing No. GEFZ25T

Bore Diameter	25,4 mm
Outer Diameter	44,45 mm
Bearing Type	plain
Bore Dia (d)	1.0000
Outer Dia (D)	1.7500
Outer Width (Bo)	0.7970
Inner Width (Bi)	1.0000
Dynamic Load Rating (Cr)	25,851
Static Load Rating (Cor)	38,665
Max. shaft corner radius, or 45 deg. chamfer (ch1)	0.024
Max. housing corner radius, or 45 deg. chamfer (ch)	0.044
Spherical Diameter (dk or Dk)	1.500
Mis-alignment Angle (a deg.)	10
Weight (g)	173.00
Material	Outer ring made from carbon steel, inner ring is made from 52100 Chrome steel, or equivalent

GEFZ25T Bearing 2D drawings and 3D CAD models