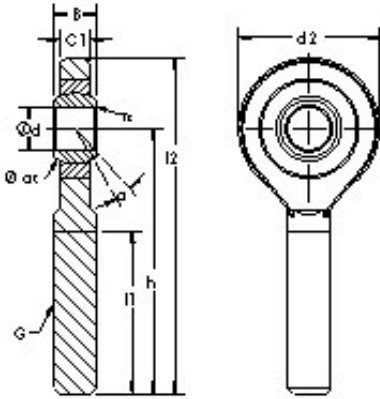




# KFY MANUFACTURING MEXICO LIMITED



SAZJ4 Bearing 2D drawings and 3D CAD models

## AST SAZJ4 plain bearings

Bearing No. SAZJ4

Bore Diameter	4,826 mm
Width	7,9248 mm
Bearing Type - steel-on-steel	steelonsteel
Bore Dia (d)	0.1900
Width (B)	0.3120
Radius (min) (rs)	0.012
Dynamic Load Rating (Cr)	809
Static Load Rating (Cor)	854
Spherical Diameter (dk or Dk)	0.437
Mis-alignment Angle (a deg.)	10
Thread Length (l1)	0.750
Bore Center to End of Rod (h)	1.250
Rod Overall Length (l2)	1.563
Rod End Thickness (C1)	0.234
Thread Size (G) - 10-32 UNF	1032 UNF
Rod End Width (d2)	0.625
Weight (g)	14.00
Material - Body - Carbon steel-zinc plated, Ball - Hardened chrome steel-chrome plated	Hardened chrome steelchrome plated