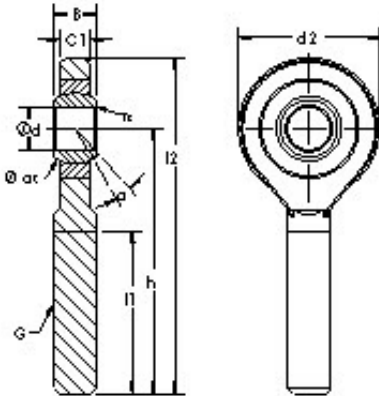




# KFY MANUFACTURING MEXICO LIMITED



## AST SAZP11S plain bearings

Bearing No. SAZP11S

SAZP11S Bearing 2D drawings and 3D CAD models

Bore Diameter	11,1125 mm
Width	14,2748 mm
Bearing Type - steel-on-bronze	steelonbronze
Bore Dia (d)	0.4375
Width (B)	0.5620
Radius (min) (rs)	0.024
Dynamic Load Rating (Cr)	2,473
Static Load Rating (Cor)	2,922
Spherical Diameter (dk or Dk)	0.812
Mis-alignment Angle (a deg.)	11
Thread Length (l1)	1.375
Bore Center to End of Rod (h)	2.125
Rod Overall Length (l2)	2.688
Rod End Thickness (C1)	0.437
Thread Size (G) - 7/16-20 UNF	7/1620 UNF
Rod End Width (d2)	1.125
Weight (g)	78.00
Material - Body - Carbon steel-zinc plated, Ball - Hardened chrome steel-chrome plated, Liner	Bronze