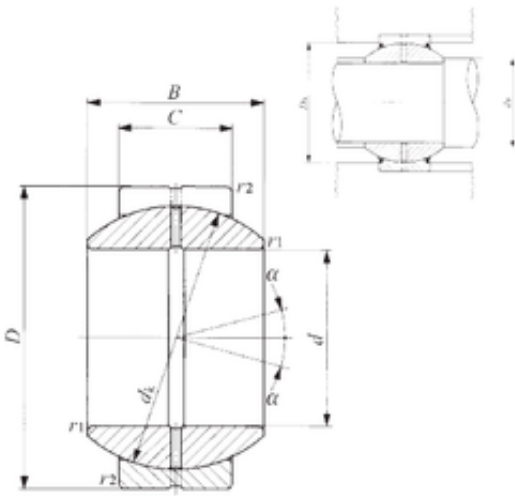




# KFY MANUFACTURING MEXICO LIMITED

100 mm x 160 mm x 85 mm IKO GE 100GS  
plain bearings



Bearing No. GE 100GS

Size	100x160x85 mm
Bore Diameter	100 mm
Outer Diameter	160 mm
Width	85 mm
d	100 mm
D	160 mm
B	85 mm
C	55 mm
dk	140 mm
r1 min.	1 mm
r2 min.	1 mm
da min.	105,5 mm
da max	111 mm
Da min	154,5 mm
Da max.	138 mm
Angle	14 °
Weight	6,15 Kg
Basic dynamic load rating (C)	755 kN

GE 100GS Bearing 2D drawings and 3D CAD models