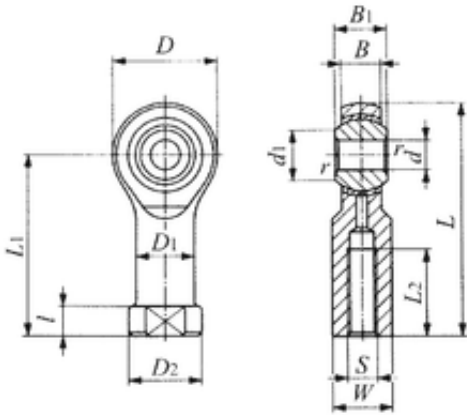




KFY MANUFACTURING MEXICO LIMITED

4,826 / mm x 15,88 / mm x 6,35 / mm IKO
PHSB 3 plain bearings



PHSB 3 Bearing 2D drawings and 3D CAD models

Bearing No. PHSB 3

Bore Diameter	4,826 mm
Outer Diameter	15,88 mm
d	4,826 / mm
D	15,88 / mm
L2	14,27 /
l	4,75 /
d1	7,77 / mm
dk	11,112 / mm
r min.	0,3 / mm
B	6,35 / mm
B1	7,92 / mm
D1	7,92 / mm
D2	10,31 / mm
L	34,93 /
L1	26,97 / mm
W	7,92 /
Thread (G) -	32UNF /
Weight	0,014 Kg
Basic dynamic load rating (C)	3,46 kN