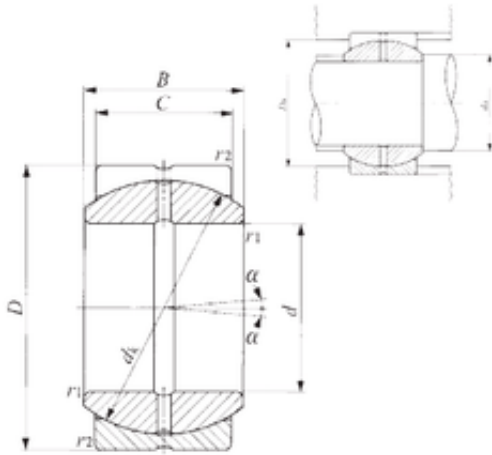




KFY MANUFACTURING MEXICO LIMITED

45 mm x 72 mm x 36 mm IKO SB 45A plain bearings



Bearing No. SB 45A

Size	45x72x36 mm
Bore Diameter	45 mm
Outer Diameter	72 mm
Width	36 mm
d	45 mm
D	72 mm
B	36 mm
C	31 mm
dk	62 mm
r min.	0,6 mm
da min.	49,5 mm
da max	50,5 mm
Da min	67,5 mm
Da max.	58 mm
Angle	5 °
Weight	0,6 Kg
Basic dynamic load rating (C)	188 kN

SB 45A Bearing 2D drawings and 3D CAD models