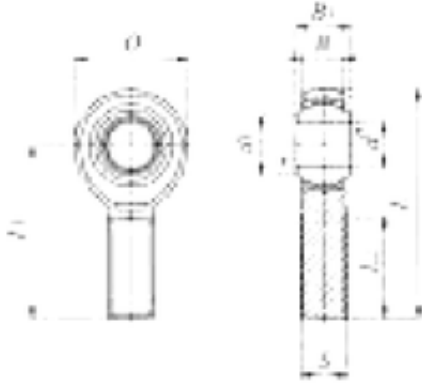




# KFY MANUFACTURING MEXICO LIMITED

7,938 / mm x 22,23 / mm x 8,74 / mm IKO  
 POSB 5 plain bearings



Bearing No. POSB 5

Bore Diameter	7,938 mm
Outer Diameter	22,23 mm
d	7,938 / mm
D	22,23 / mm
L2	31,75 /
d1	11,35 / mm
dk	15,875 / mm
r min.	0,5 / mm
B	8,74 / mm
B1	11,10 / mm
L	58,72 /
L1	47,63 / mm
Thread (G) -	24UNF /
Weight	0,036 Kg
Basic dynamic load rating (C)	6,8 kN

POSB 5 Bearing 2D drawings and 3D CAD models