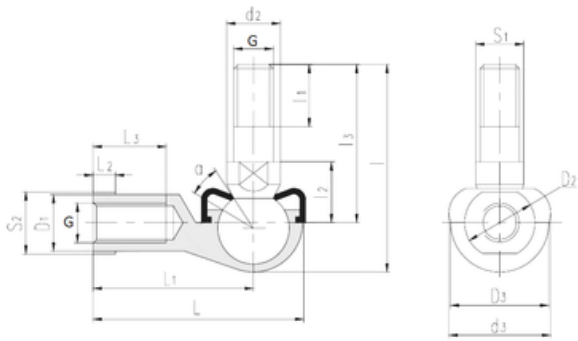




KFY MANUFACTURING MEXICO LIMITED

LS SQYL4-RS plain bearings



Bearing No. SQYL4-RS

S1	7 mm
L2	4 mm
L3	14 mm
l	29 mm
d2	9 mm
d3	19 mm
l1 min.	8 mm
l2 max.	10 mm
l3 min.	21 mm
D1	9 mm
D2	11 mm
D3	16 mm
L	35 mm
L1	27 mm
S2	9 mm
Thread (G) - 10-32	1032
Angle	25 °
Weight	0,026 Kg

SQYL4-RS Bearing 2D drawings and 3D CAD models