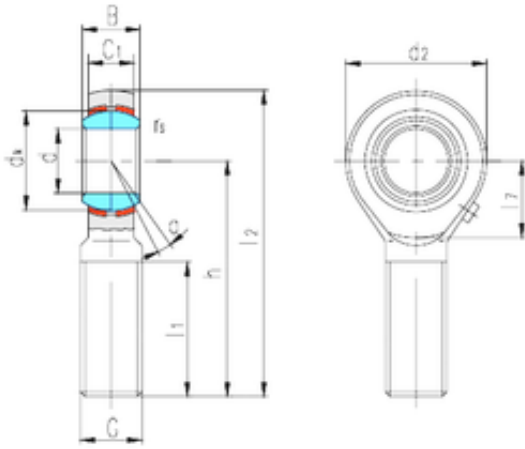




KFY MANUFACTURING MEXICO LIMITED



SAZP15N Bearing 2D drawings and 3D CAD models

LS SAZP15N plain bearings

Bearing No. SAZP15N

Size	15.88x38.1x19.05 mm
Bore Diameter	15,88 mm
Outer Diameter	38,1 mm
Width	19,05 mm
d	15,88 mm
B	19,05 mm
d2	38,1 mm
dk	28,58 mm
h	66,68 mm
l1 min.	41,28 mm
l2 max.	85,73 mm
l7 min.	18,2 mm
r min.	0,6 mm
C1	14,27 mm
Thread (G) - 5/8-18	5/818
Angle	11 °
Weight	0,18 Kg
Basic dynamic load rating (C)	22,9 kN