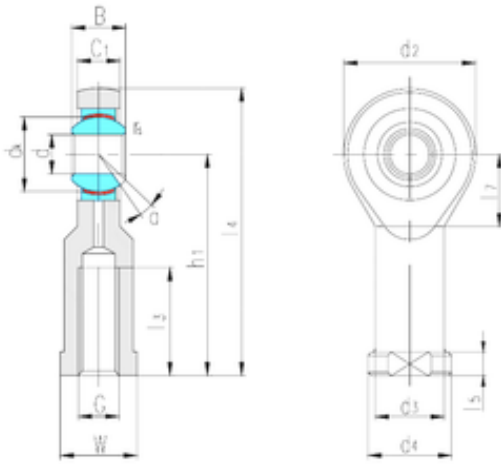




KFY MANUFACTURING MEXICO LIMITED



SIJK12C Bearing 2D drawings and 3D CAD models

LS SIJK12C plain bearings

Bearing No. SIJK12C

Bore Diameter	12 mm
d	12 mm
B	16 mm
d2	34 mm
d3	17,5 mm
d4	22 mm
dk	22,23 mm
h1	50 mm
l3 min.	18 mm
l4 max.	67 mm
l5	6,5 mm
l7 min.	18 mm
r min.	0,3 mm
C1	12,5 mm
W	18 mm
Thread (G)	M12
Angle	12 °
Weight	0,14 Kg
Basic dynamic load rating (C)	14 kN