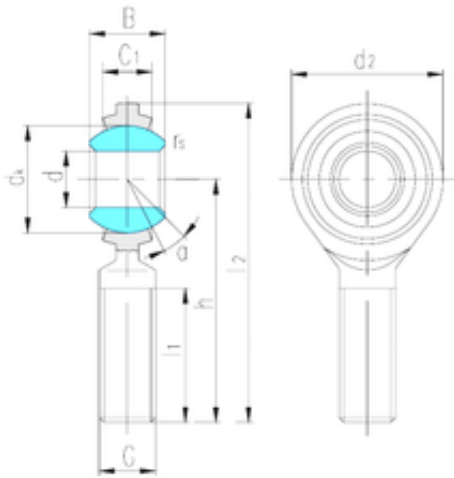




KFY MANUFACTURING MEXICO LIMITED



LS SAJ12 plain bearings

Bearing No. SAJ12

Bore Diameter	12 mm
d	12 mm
B	16 mm
d2	30 mm
dk	22,225 mm
h	54 mm
l1 min.	33 mm
l2 max.	69 mm
r min.	0,3 mm
C1	12 mm
Thread (G)	M12
Angle	13 °
Weight	0,076 Kg
Basic dynamic load rating (C)	8,5 kN

SAJ12 Bearing 2D drawings and 3D CAD models