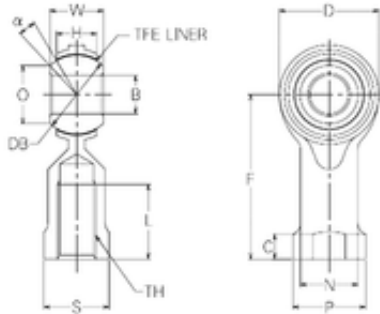




# KFY MANUFACTURING MEXICO LIMITED

## 30 mm x 66 mm x 30 mm NMB RBT30 plain bearings



Bearing No. RBT30

Bore Diameter	30 mm
d	30 mm
P	50 mm
Db	50,8 mm
O	34,8 mm
B	30 mm
C	15 mm
D	66 mm
F	110 mm
H	25 mm
L	56 mm
N	40 mm
S	41 mm
W	37 mm
Angle	17 °
Thread (TH)	M30 × 2,0
Weight	1,45 Kg
Basic static load rating (C0)	99,04 kN

RBT30 Bearing 2D drawings and 3D CAD models