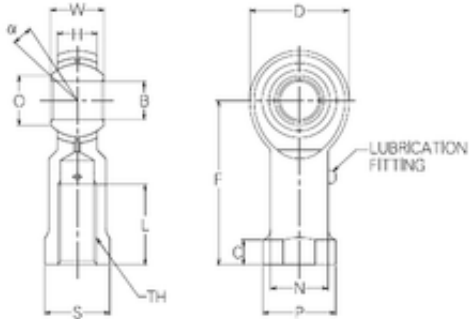




KFY MANUFACTURING MEXICO LIMITED

22 mm x 50 mm x 22 mm NMB PR22 plain bearings



Bearing No. PR22

Bore Diameter	22 mm
d	22 mm
P	37 mm
Db	38,1 mm
O	25,8 mm
B	22 mm
C	12 mm
D	50 mm
F	84 mm
H	20 mm
L	43 mm
N	30 mm
S	32 mm
W	28 mm
Angle	15 °
Thread (TH)	M22 x 1,5
Weight	0,49 Kg
Basic static load rating (C0)	100,22 kN

PR22 Bearing 2D drawings and 3D CAD models