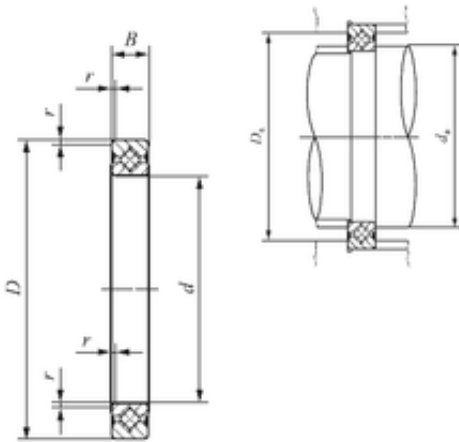




# KFY MANUFACTURING MEXICO LIMITED

## 130 mm x 146 mm x 8 mm IKO CRBS 1308 A UU thrust roller bearings

Bearing No. CRBS 1308 A UU



CRBS 1308 A UU Bearing 2D drawings and 3D CAD models

Size	130x146x8 mm
Bore Diameter	130 mm
Outer Diameter	146 mm
Width	8 mm
d	130 mm
D	146 mm
B	8 mm
r min.	0.4 mm
Da	141 mm
da	134 mm
Weight	0,199 Kg
Basic dynamic load rating (C)	7,27 kN