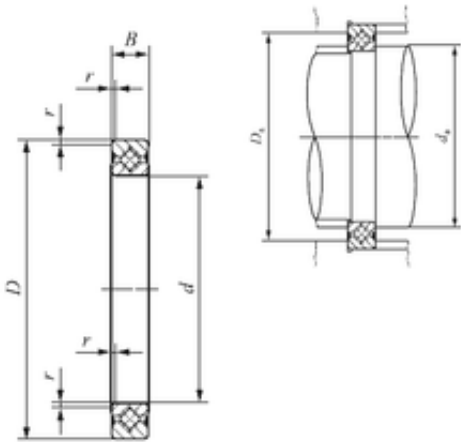




KFY MANUFACTURING MEXICO LIMITED

170 mm x 196 mm x 13 mm IKO CRBS 17013 V thrust roller bearings

Bearing No. CRBS 17013 V



CRBS 17013 V Bearing 2D drawings and 3D CAD models

Size	170x196x13 mm
Bore Diameter	170 mm
Outer Diameter	196 mm
Width	13 mm
d	170 mm
D	196 mm
B	13 mm
r min.	0.6 mm
Da	189 mm
da	176 mm
Weight	0,675 Kg
Basic dynamic load rating (C)	27,8 kN