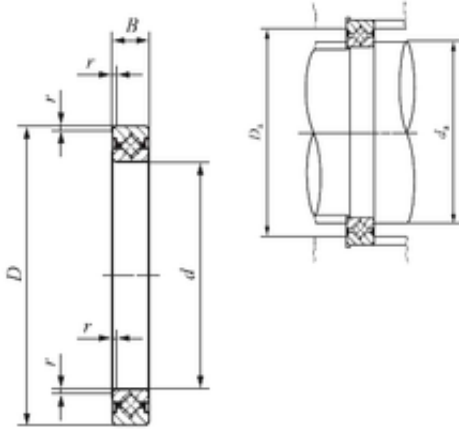




KFY MANUFACTURING MEXICO LIMITED



150 mm x 166 mm x 8 mm IKO CRBS 1508
thrust roller bearings

Bearing No. CRBS 1508

Size	150x166x8 mm
Bore Diameter	150 mm
Outer Diameter	166 mm
Width	8 mm
d	150 mm
D	166 mm
B	8 mm
r min.	0.4 mm
Da	161 mm
da	154 mm
Weight	0,22 Kg
Basic dynamic load rating (C)	8,35 kN

CRBS 1508 Bearing 2D drawings and 3D CAD models