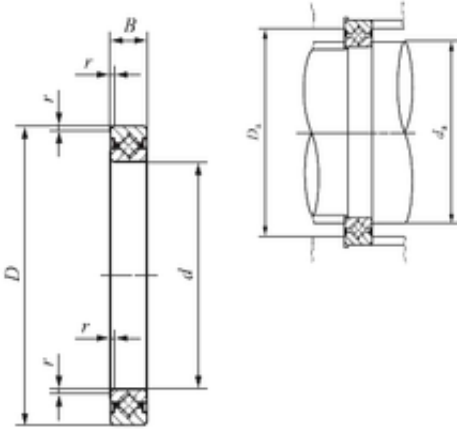




KFY MANUFACTURING MEXICO LIMITED

130 mm x 146 mm x 8 mm IKO CRBS 1308 thrust roller bearings

Bearing No. CRBS 1308



CRBS 1308 Bearing 2D drawings and 3D CAD models

Size	130x146x8 mm
Bore Diameter	130 mm
Outer Diameter	146 mm
Width	8 mm
d	130 mm
D	146 mm
B	8 mm
r min.	0.4 mm
Da	141 mm
da	134 mm
Weight	0,199 Kg
Basic dynamic load rating (C)	7,86 kN