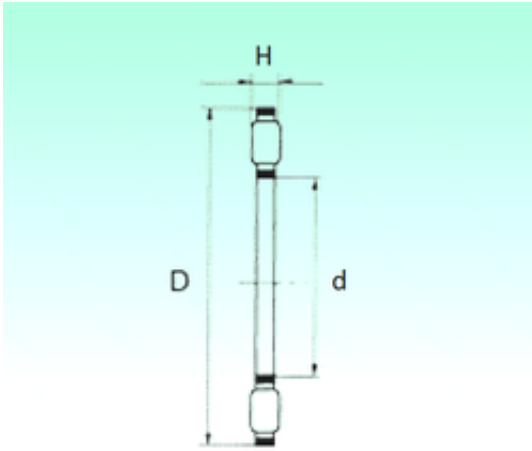




# KFY MANUFACTURING MEXICO LIMITED



## NBS K81236-M thrust roller bearings

Bearing No. K81236-M

Bore Diameter	180 mm
Outer Diameter	250 mm
d	180 mm
D	250 mm
Dw	22 mm
Weight	1,98 Kg
Basic dynamic load rating (C)	689,78 kN
Basic static load rating (C0)	2439,5 kN

K81236-M Bearing 2D drawings and 3D CAD models